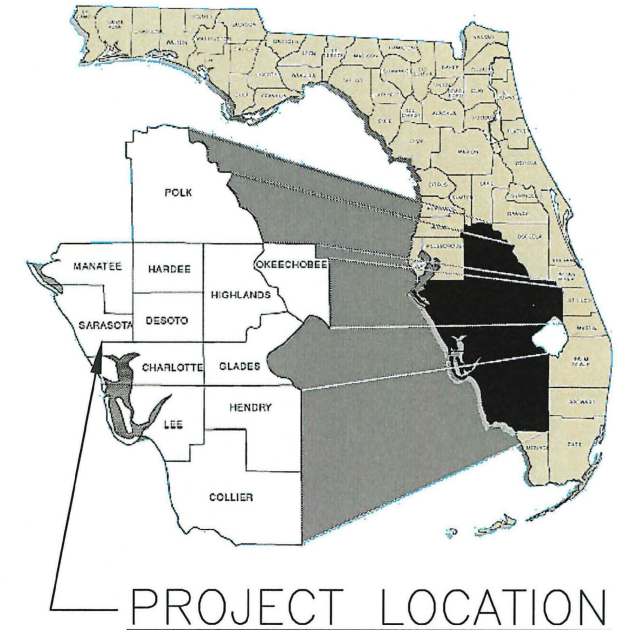
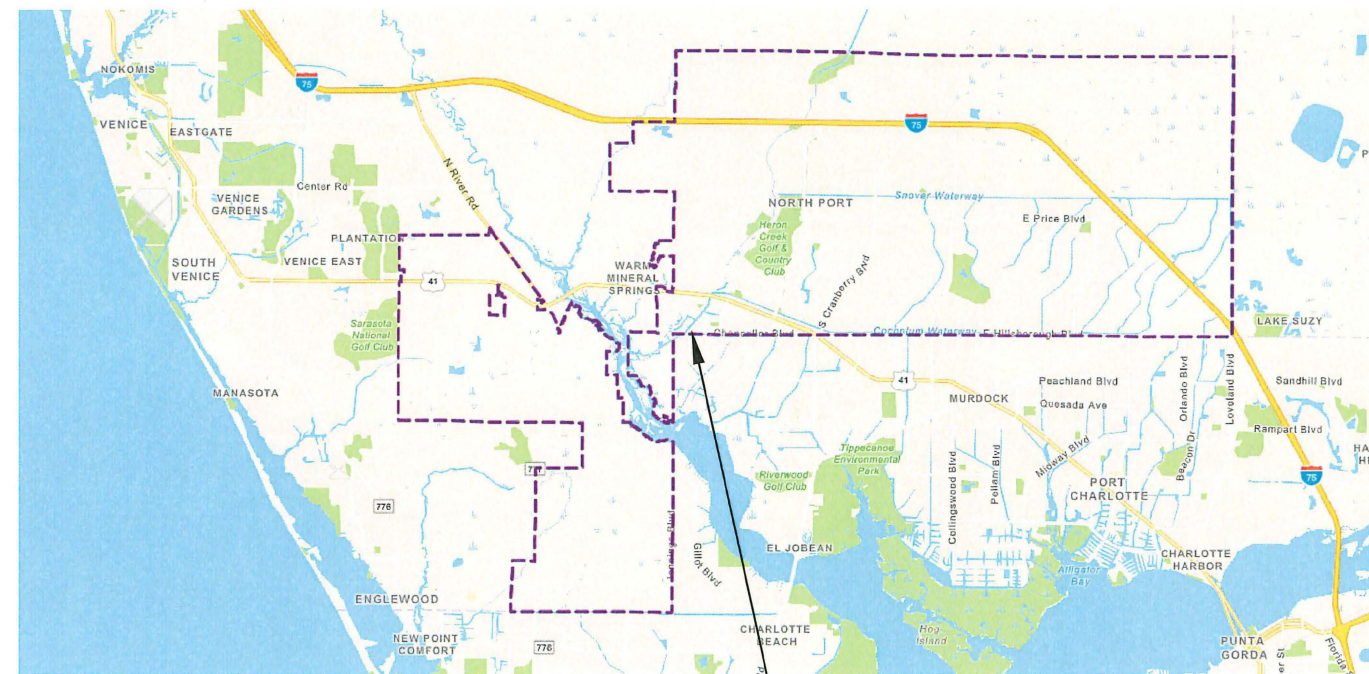


MARINA PARK RESTROOM CITY OF NORTH PORT



INDEX OF SHEETS

Sheet No.	Description
1	Cover Sheet with Index of Sheets
2	Site and Utility Plan
3	Details
4-5	Water and Sewer Details
6	FDOT Standard 711-001 for Pavement Markings

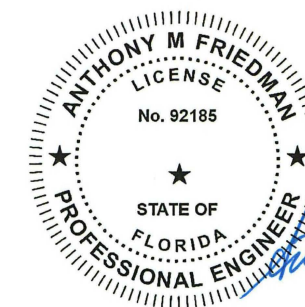


PROJECT LOCATION

7030 Chancellor Boulevard, North Port, FL 34287

Revisions:

Date	Description



Anthony M. Friedman



MARINA PARK RESTROOM

City of North Port | Sarasota County, Florida
4970 City Hall Blvd., North Port, FL 34286

Drawn By: AMF

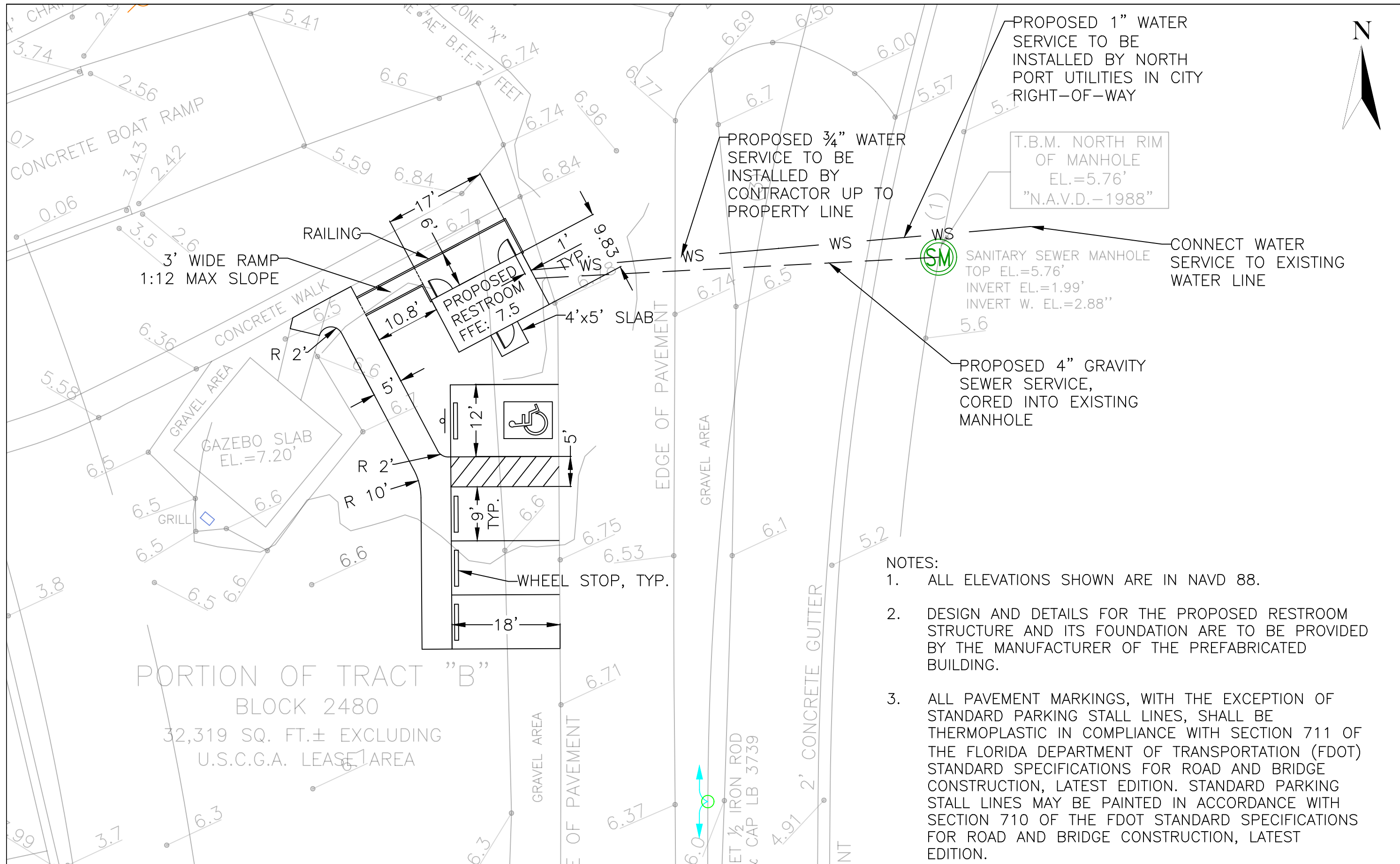
Designed By:

Date: 5/26/2022

Scale: NTS

Anthony Friedman, P.E.
FL Licence #92185

Sheet 1 of 6



PROPOSED 1" WATER SERVICE TO BE INSTALLED BY NORTH PORT UTILITIES IN CITY RIGHT-OF-WAY

T.B.M. NORTH RIM OF MANHOLE
EL.=5.76'
"N.A.V.D.-1988"

PROPOSED 3/4" WATER SERVICE TO BE INSTALLED BY CONTRACTOR UP TO PROPERTY LINE

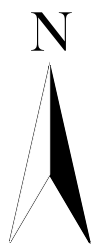
SANITARY SEWER MANHOLE
TOP EL.=5.76'
INVERT EL.=1.99'
INVERT W. EL.=2.88"

CONNECT WATER SERVICE TO EXISTING WATER LINE

PROPOSED 4" GRAVITY SEWER SERVICE, CORED INTO EXISTING MANHOLE

- NOTES:
1. ALL ELEVATIONS SHOWN ARE IN NAVD 88.
 2. DESIGN AND DETAILS FOR THE PROPOSED RESTROOM STRUCTURE AND ITS FOUNDATION ARE TO BE PROVIDED BY THE MANUFACTURER OF THE PREFABRICATED BUILDING.
 3. ALL PAVEMENT MARKINGS, WITH THE EXCEPTION OF STANDARD PARKING STALL LINES, SHALL BE THERMOPLASTIC IN COMPLIANCE WITH SECTION 711 OF THE FLORIDA DEPARTMENT OF TRANSPORTATION (FDOT) STANDARD SPECIFICATIONS FOR ROAD AND BRIDGE CONSTRUCTION, LATEST EDITION. STANDARD PARKING STALL LINES MAY BE PAINTED IN ACCORDANCE WITH SECTION 710 OF THE FDOT STANDARD SPECIFICATIONS FOR ROAD AND BRIDGE CONSTRUCTION, LATEST EDITION.

PORTION OF TRACT "B"
BLOCK 2480
32,319 SQ. FT.± EXCLUDING
U.S.C.G.A. LEASE AREA



MARINA PARK RESTROOM
SITE AND UTILITY PLAN
City of North Port | Sarasota County, Florida
4970 City Hall Blvd., North Port, FL 34286

Drawn By: AMF
Designed By:
Date: 5/26/2022
Scale: 1"=15'

Anthony Friedman, P.E.
FL Licence #92185
Sheet 2 of 6

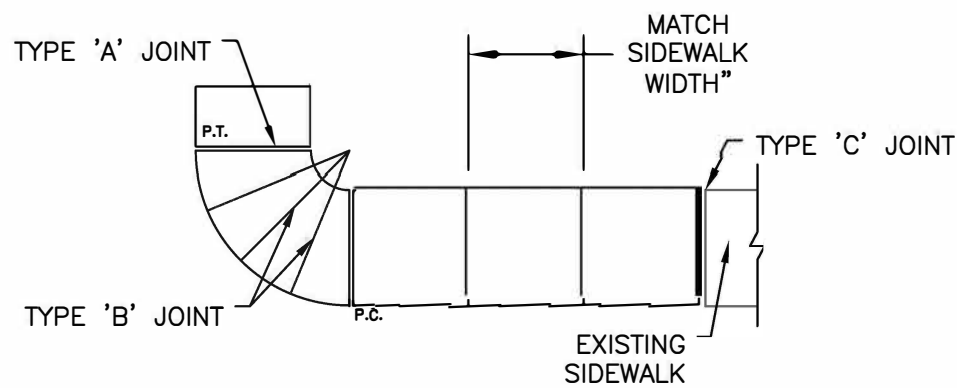
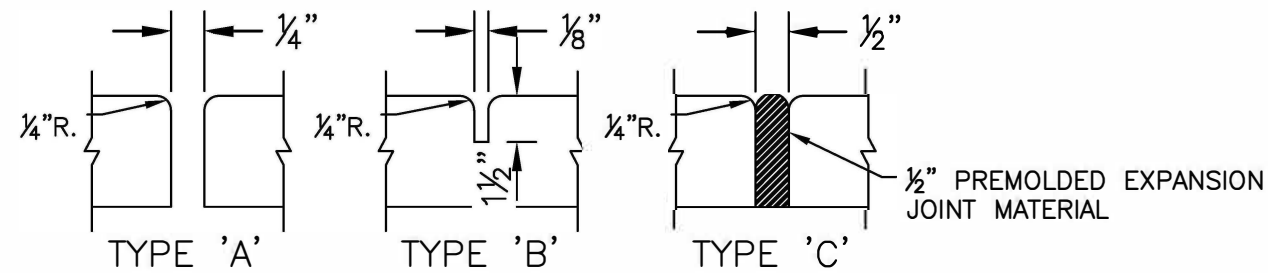


TABLE OF SIDEWALK JOINTS

TYPE	LOCATION
'A'	P.C. AND P.T. OF CURVES
'B'	SPACING TO MATCH WIDTH OF SIDEWALK (NOT LESS THAN 4' AND NOT GREATER THAN 10')
'C'	WHERE SIDEWALK ABUTS CONCRETE CURBS, DRIVEWAYS, AND SIMILAR STRUCTURES. EXISTING AND NEW SIDEWALKS AT INTERVALS NOT GREATER THAN 100'



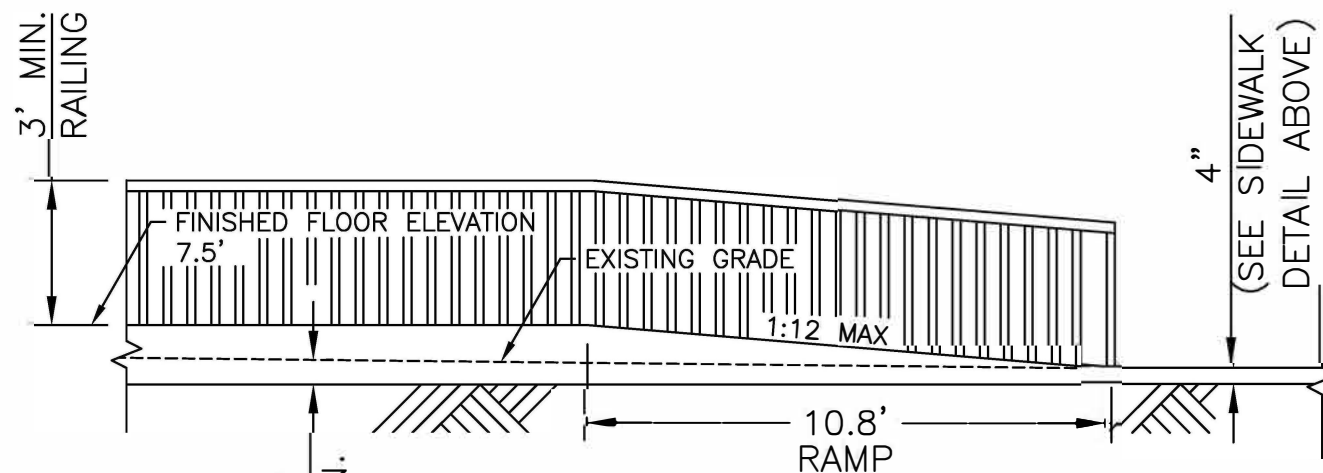
SIDEWALK JOINTS

NOTES:

1. CONCRETE TO BE 3000 P.S.I. AT 28 DAYS
2. SIDEWALKS ARE TO BE FIBER REINFORCED
3. SIDEWALK THICKNESS IS 6" AT DRIVEWAY CROSSINGS, AND 4" ELSEWHERE
4. SIDEWALK CROSS SLOPE SHALL NOT EXCEED 1.5%

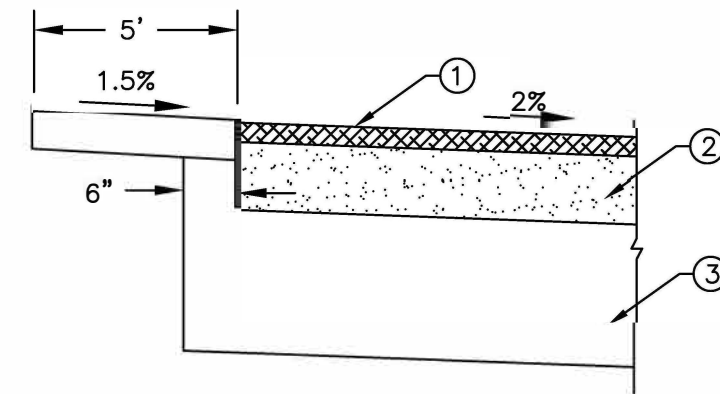
SIDEWALK CONSTRUCTION

N.T.S.



RAMP ELEVATION

N.T.S.



1. 1 3/4" ASPHALTIC CONCRETE, TYPE III
2. 6" CRUSHED CONCRETE BASE, LBR = 150. (FDOT SECTION 911)
3. 12" TYPE B STABILIZED SUBGRADE, LBR = 40 MINIMUM (FDOT SECTION 160)

NOTE: ALL MATERIALS AND METHODS USED IN CONSTRUCTING PAVEMENT INCLUDING SIDEWALKS SHALL CONFORM TO THE REQUIREMENTS IN THE CITY OF NORTH PORT UNIFIED LAND DEVELOPMENT CODE AND FDOT STANDARDS FOR ROAD AND BRIDGE CONSTRUCTION, LATEST EDITION.

TYPICAL SECTION THRU PROPOSED PAVEMENT AND SIDEWALK

N.T.S.



MARINA PARK RESTROOM
DETAILS

City of North Port | Sarasota County, Florida
4970 City Hall Blvd., North Port, FL 34286

Drawn By: AMF

Designed By:

Date: 5/26/2022

Scale: NTS

Anthony Friedman, P.E.
FL Licence #92185

Sheet 3 of 6

GENERAL NOTES:

- NORTH PORT UTILITIES (NPU) STANDARD SPECIFICATIONS AND STANDARD DETAILS SHALL GOVERN ALL UTILITY WORK. UNDER CERTAIN CIRCUMSTANCES THE STANDARD SPECIFICATIONS AND/OR STANDARD DETAILS MAY BE MODIFIED BY THE SPECIAL PROVISION SECTION OF THE CONTRACT DOCUMENTS IN WHICH CASE THE SPECIAL PROVISIONS SHALL PREVAIL. WHEN A CONFLICT EXISTS BETWEEN THE STANDARD SPECIFICATIONS AND THE SPECIAL PROVISIONS, THE REQUIREMENTS OF THE SPECIAL PROVISIONS SHALL PREVAIL. WHERE THE REQUIREMENTS OF A STATE OR LOCAL AGENCY HAVING JURISDICTION ARE MORE STRINGENT, THOSE REQUIREMENTS SHALL PREVAIL.
- THE CONTRACTOR SHALL OBTAIN ALL REQUIRED CITY AND STATE PERMITS PRIOR TO COMMENCING WORK AND SHALL KEEP ONE COPY OF ALL ISSUED PERMITS AT THE SITE AT ALL TIMES DURING CONSTRUCTION.
- THE CONTRACTOR SHALL ASSURE COMPLIANCE WITH ANY OSHA, EPA, AND/OR OTHER FEDERAL OR STATE OF FLORIDA RULES, REGULATIONS, OR OTHER REQUIREMENTS, AS EACH MAY APPLY.
- THE CONTRACTOR SHALL HAVE AVAILABLE AT THE JOB SITE ONE CURRENT COPY OF NPU SPECIFICATIONS AND DESIGN DETAILS AND ONE COPY OF THE CONTRACT DOCUMENTS INCLUDING ENGINEERING DRAWINGS, SPECIFICATIONS, SPECIAL PROVISIONS, ETC. NO FIELD CHANGES OR DEVIATION FROM THE CONTRACT DOCUMENTS SHALL BE MADE BY THE CONTRACTOR WITHOUT PRIOR NPU WRITTEN APPROVAL.
- THE CONTRACTOR SHALL PROTECT EXISTING UTILITIES FROM DAMAGE. THE CONTRACTOR SHALL NOTIFY "SUNSHINE 811" PRIOR TO START OF CONSTRUCTION. THE EXISTING UTILITIES SHOWN ON THE ENGINEERING DRAWINGS ARE FOR DESIGN PURPOSES ONLY. THE CONTRACTOR SHALL MARK LOCATIONS OF UTILITIES BY PAINTING AND/OR FLAGGING THE UTILITY ALIGNMENT. THE CONTRACTOR SHALL PERFORM EXPLORATORY EXCAVATION(S) TO FIELD VERIFY THE LOCATION AND DEPTH OF ALL EXISTING UTILITIES PRIOR TO CONSTRUCTION. THE CONTRACTOR SHALL COMPLY WITH ALL LAWS AND ORDINANCES COVERING THE PROTECTION OF SUCH WORK AND THE SAFETY MEASURES TO BE EMPLOYED THEREIN.
- THE CONTRACTOR SHALL REVIEW THE SITE CONDITIONS PRIOR TO START OF CONSTRUCTION. THE CONTRACTOR SHALL BRING DISCREPANCIES TO THE ATTENTION OF THE ENGINEER PRIOR TO COMMENCING WORK.
- THE CONTRACTOR SHALL CONTACT THE APPLICABLE CITY DEPARTMENTS AND ALL OTHER UTILITY COMPANIES A MINIMUM OF 48 HOURS PRIOR TO START OF CONSTRUCTION.
- THE CONTRACTOR SHALL COORDINATE WITH NPU TO ENSURE ALL AFFECTED UTILITY CUSTOMERS ARE NOTIFIED 48 HOURS IN ADVANCE IF WATER AND/OR SEWER SERVICE WILL BE INTERRUPTED DURING CONSTRUCTION.
- IF EXISTING VALVES OR FITTINGS ARE NOT RESTRAINED PROPERLY, THE CONTRACTOR SHALL RESTRAIN EXISTING UTILITIES IN ACCORDANCE WITH NPU REQUIREMENTS AS APPROVED BY NPU.
- THE CONTRACTOR SHALL INSTALL INCIDENTAL FITTINGS REQUIRED TO RESOLVE CONFLICTS BETWEEN EXISTING AND PROPOSED UTILITIES AS DETERMINED IN THE FIELD UNLESS OTHERWISE SHOWN ON THE PLANS. ALL MATERIALS, EQUIPMENT, AND LABOR TO RESOLVE INCIDENTAL CONFLICTS SHALL BE PAID FOR AS PROVIDED FOR IN THE CONTRACT DOCUMENTS.

North Port FLORIDA GENERAL NOTES G-01 SHEET 1 OF 5

- ALL VALVES SHALL BE INSTALLED OUTSIDE OF PAVEMENTS UNLESS OTHERWISE SPECIFICALLY SHOWN ON THE PLANS OR APPROVED BY NPU.
- THE CONTRACTOR SHALL INSTALL ALL OPEN TRENCH BURY PIPE IN AN UPRIGHT VERTICAL POSITION SO ALL LETTERING AND/OR STRIPING CAN BE READ FROM ABOVE. DIRECTIONAL BORE HDPE PIPE SHALL MEET THIS REQUIREMENT TO THE EXTENT POSSIBLE.
- THE CONTRACTOR SHALL PUSH HOME ALL SPOOT ENDS OF PVC AND/OR DI PIPE INTO BELL ENDS WITHIN 1/2" OF THE MANUFACTURER'S INSERTION MARK. IF PIPE IS CUT, THE CONTRACTOR SHALL REPLACE AN INSERTION MARK FROM NEW END OF PIPE AS SHOWN ON THE ORIGINAL PIPE.
- ALL STAINLESS STEEL SHALL BE 316 AUSTENITIC, NON-MAGNETIC, UNLESS OTHERWISE APPROVED BY NPU.
- METALLIC WARNING TAPE MUST BE INSTALLED IN ACCORDANCE WITH NPU STANDARD DETAILS AND NPU STANDARD SPECIFICATIONS.

DUCTILE IRON EXTERNAL PROTECTIVE COATING

ALL EXPOSED DUCTILE IRON UTILITIES SHALL BE PAINTED AS FOLLOWS IN ACCORDANCE WITH NPU PAINTING SPECIFICATIONS:

TYPE	COLOR DESIGNATION*
POTABLE WATER LINES	BLUE (PANTONE 287)
POTABLE WATER VALVE CAPS	BLUE (PANTONE 287)
FIRE LINES	ANSI SAFETY RED (PANTONE 485)
FIRE LINE VALVE CAPS	ANSI SAFETY RED (PANTONE 485)
WASTEWATER LINES	ANSI SAFETY GREEN (PANTONE 341C)
WASTEWATER VALVE CAPS	ANSI SAFETY GREEN (PANTONE 341C)
RECLAIMED WATER LINES	PURPLE (PANTONE 522C)
RECLAIMED WATER VALVE CAP	PURPLE (PANTONE 522C)
FIRE HYDRANTS	SHERWIN-WILLIAMS SAFETY YELLOW #7543
FIRE HYDRANT VALVE CAPS	SHERWIN-WILLIAMS SAFETY YELLOW #7543

*EQUIVALENT COLORS MATCHING THESE COLORS ARE ACCEPTABLE. PROVIDE WITH SHOP DRAWING SUBMITTAL DIRECT COLOR COMPARISONS OF COLOR NUMBERS AVAILABLE FROM MANUFACTURER SUBMITTED.

North Port FLORIDA GENERAL NOTES G-01 SHEET 1 OF 5

CONSTRUCTION IN STREETS AND ROAD RIGHT-OF-WAYS:

- OPEN ROAD CUTS REQUIRE PRIOR APPROVAL/PERMIT OF THE CITY, STATE, OR OTHER AGENCY HAVING JURISDICTION. CONSTRUCTION WITHIN THE FLORIDA DEPARTMENT OF TRANSPORTATION (FDOT) RIGHT-OF-WAY SHALL CONFORM TO FLORIDA DOT CONSTRUCTION STANDARDS.
- THE CONTRACTOR SHALL MAINTAIN PEDESTRIAN TRAFFIC AT THE JOB SITE DURING CONSTRUCTION IN ACCORDANCE WITH THE PERMIT AND SAFETY REQUIREMENTS FOR THE PROJECT. PROPER DETOUR SHALL BE PROVIDED AS NECESSARY.
- EXCAVATION SHALL BE CONDUCTED IN A MANNER TO CAUSE THE LEAST POSSIBLE INTERRUPTION TO TRAFFIC. WHERE TRAFFIC MUST CROSS EXCAVATIONS, THE CONTRACTOR SHALL PROVIDE SUITABLE BRIDGES AT STREET INTERSECTIONS AND DRIVEWAYS.
- NOT MORE THAN ONE BLOCK OF EXCAVATION SHALL BE OPEN PER CREW AT ANY ONE TIME, AND THIS DISTANCE SHALL BE REDUCED IF CONSTRUCTION CAUSES EXCESSIVE INTERFERENCE WITH TRAFFIC. EXCAVATED OR OTHER MATERIAL STORED ADJACENT TO OR PARTIALLY UPON A ROADWAY PAVEMENT SHALL BE ADEQUATELY MARKED FOR TRAFFIC AND PEDESTRIAN SAFETY AT ALL TIMES. ALL EXCAVATED AND/OR STORED MATERIAL SHALL BE REMOVED FROM THE PAVEMENTS AT THE END OF THE WORK DAY UNLESS OTHERWISE PROVIDED FOR IN THE CONTRACT DOCUMENTS.
- THE CONTRACTOR SHALL CARRY OUT THE WORK SO AS NOT TO DENY REASONABLE ACCESS TO PRIVATE PROPERTY. ALL ACCESS SHALL BE RESTORED AT THE END OF THE WORK DAY.
- ALL UTILITY ACCESS MANHOLES, VALVES, AND FIRE HYDRANTS AND MAIL BOXES SHALL BE ACCESSIBLE AT ALL TIMES DURING CONSTRUCTION.
- ROAD SURFACE RESTORATION SHALL BE PERFORMED IN ACCORDANCE WITH CITY, FDOT, OR OTHER AGENCY REQUIREMENTS.
- THE CONTRACTOR SHALL REPLACE ALL PAVEMENT MARKINGS DAMAGED DURING THE PROJECT.

North Port FLORIDA GENERAL NOTES G-01 SHEET 1 OF 5

TRAFFIC REGULATIONS AND MAINTENANCE OF TRAFFIC:

- TRAFFIC CONTROL ON ALL CITY AND STATE HIGHWAY RIGHT-OF-WAYS SHALL COMPLY WITH THE REQUIREMENTS OF THE US DEPARTMENT OF TRANSPORTATION, FEDERAL HIGHWAY ADMINISTRATION, "MANUAL OF UNIFORM TRAFFIC CONTROL DEVICES" AND REQUIREMENTS OF THE STATE AND/OR ANY OTHER LOCAL AGENCY HAVING JURISDICTION.
 - WORK AFFECTING TRAFFIC ON ANY CITY STREET, ROADWAY, RIGHT-OF-WAY, BIKE PATH, OR SIDEWALK REQUIRES THE PREPARATION AND SUBMITTAL OF MAINTENANCE OF TRAFFIC (MOT) PLAN BY THE CONTRACTOR TO NPU. THE MOT PLAN SHALL BE APPROVED BY THE PUBLIC WORKS ENGINEER OR HIS/HER DESIGNEE PRIOR TO THE START OF CONSTRUCTION.
 - WORK AFFECTING TRAFFIC ON ANY STATE ROAD OR HIGHWAY REQUIRES THE PREPARATION AND SUBMITTAL OF A MOT PLAN BY THE CONTRACTOR TO THE FDOT. THE MOT PLAN SHALL BE APPROVED BY THE FDOT PRIOR TO THE START OF CONSTRUCTION.
 - THE CONTRACTOR SHALL BE IN FULL COMPLIANCE WITH THE APPROVED MOT PLAN AT ALL TIMES.
 - THE CONTRACTOR SHALL FURNISH AND MAINTAIN ALL TRAFFIC CONTROL SIGNS AND DEVICES, BARRICADES, FLASHERS, ETC., IN WORKING CONDITION AT ALL TIMES.
 - ROAD CLOSURE WHETHER TEMPORARY ON A DAILY BASIS OR PERMANENTLY DURING CONSTRUCTION REQUIRES THE APPROVAL OF A DETOUR PLAN BY THE AGENCY OR AGENCIES HAVING JURISDICTION. THE CONTRACTOR SHALL BE RESPONSIBLE FOR MAINTAINING ALL TEMPORARY SIGNAGE WHEN THE ROADWAY IS TO BE CLOSED OR TRAFFIC DETOURED. WHEN ROAD CLOSURES ARE TEMPORARY ALL STREETS SHALL BE RE-OPENED TO TRAFFIC BY THE END OF THE WORK DAY AND ALL DETOUR SIGNS COVERED OR REMOVED. WHEN ROADS ARE PERMANENTLY CLOSED DURING CONSTRUCTION ACCESS MUST BE PROVIDED TO PROPERTIES LOCATED ON THE CLOSED ROAD AT THE END OF EACH WORK DAY AND ON WEEKENDS.
 - DURING NON-DAYLIGHT HOURS OR RESTRICTED VISIBILITY, THE CONTRACTOR SHALL PROPERLY ILLUMINATE THE WORK BY THE INSTALLATION AND MAINTENANCE OF SUITABLE LIGHTS OR FLARES ESPECIALLY ALONG OR ACROSS THROUGHFARES.
- ENVIRONMENTAL REQUIREMENTS:**
- THE CONTRACTOR SHALL FOLLOW FDEP'S NPDES STORMWATER PROGRAM FOR THE USE OF BEST MANAGEMENT PRACTICES (BMP'S) TO MINIMIZE EROSION AND SEDIMENTATION AND TO PROPERLY MANAGE RUNOFF. IF NECESSARY, THE CONTRACTOR WILL BE RESPONSIBLE TO OBTAIN NECESSARY PERMITS AND MAINTAIN A STORMWATER POLLUTION PREVENTION PLAN.
 - PRIOR TO THE START AND DURING CONSTRUCTION ACTIVITIES, FOR AREAS WITHIN AND ADJOINING THE LIMITS OF CONSTRUCTION, THE CONTRACTOR SHALL PROVIDE PROTECTION BARRICADES/SILT FENCES/ADEQUATE MEASURES IN ACCORDANCE WITH CITY, COUNTY, AND STATE REQUIREMENTS FOR ALL DESIGNATED TREES/PLANTS TO BE PROTECTED, WETLANDS, THREATENED AND/OR ENDANGERED SPECIES, ETC.

North Port FLORIDA GENERAL NOTES G-01 SHEET 1 OF 5

BEDDING, BACKFILL, AND COMPACTION:

- ALL PIPES AND BEDDING MATERIAL SHALL BE NEW MATERIAL UNLESS OTHERWISE APPROVED BY NPU.
- BEDDING AND BACKFILL MATERIALS SHALL BE IN ACCORDANCE WITH NPU TECHNICAL SPECIFICATIONS 311020 AND 311030.
- BACKFILLING OF TRENCHES SHALL NOT BE ALLOWED UNTIL THE WORK HAS BEEN APPROVED BY NPU. WORK BACKFILLED OR CONCEALED WITHOUT THE KNOWLEDGE OF NPU SHALL BE UNCOVERED OR EXPOSED FOR INSPECTION AT NO COST TO THE OWNER.
- READY-MIX FLOWABLE FILL OR CONTROLLED LOW STRENGTH MATERIAL (CLSM) MAY BE SUBSTITUTED AS AN ALTERNATIVE TO COMPACTED SOIL WITH THE APPROVAL OF NPU OR WHERE SHOWN ON THE PLANS. APPLICATIONS FOR THE MATERIAL INCLUDE BEDDINGS, ENCASEMENTS, CLOSURES FOR TANKS AND PIPES, AND GENERAL BACKFILL APPLICATIONS FOR TRENCHES AND ADJUSTMENTS. FLOWABLE FILL SHALL BE DESIGNED TO BE EXCAVATED AND PUMPED FOR APPLICATIONS WHERE STRENGTH IS MORE IMPORTANT THAN EXCAVATABILITY. IF FLOWABLE FILL IS SPECIFIED, ULTIMATE COMPRESSIVE STRENGTH SHALL BE LESS THAN 200 PSI AT 28 DAYS. FLOWABLE FILL IS NOT ACCEPTABLE FOR USE AS BACKFILL UNDER PAVEMENT, SIDEWALKS, OR OTHER HARD SURFACES UNLESS OTHERWISE APPROVED IN WRITING BY THE AUTHORITY WITH JURISDICTION.
- THE CONTRACTOR SHALL COMPACT ALL PORTIONS OF A TRENCH WITHIN 7.5 FEET OF EDGE OF PAVEMENT TO 96% DENSITY, FLORIDA METHOD 1-T-180, AND 95% FOR OTHER AREAS WITHIN THE RIGHT OF WAY. IF MORE STRINGENT COMPACTION REQUIREMENTS ARE SHOWN ON THE PLANS OR IN THE TECHNICAL SPECIFICATIONS, THEY SHALL PREVAIL.
- COMPACTION OF BACKFILL MATERIAL UNDER PAVEMENT, SIDEWALKS, OR OTHER HARD SURFACES SHALL BE IN CONFORMANCE WITH THE REQUIREMENTS OF THE AUTHORITY HAVING JURISDICTION.
- DENSITY TESTS SHALL BE PERFORMED FOR EACH 6-INCH LIFT AT A MINIMUM OF ONE TEST PER 200 FEET OF TRENCH.
- ALL WELL POINT HOLES UNDER PARKING, DRIVING, OR ROADWAY SURFACES SHALL BE BACKFILLED WITH CONCRETE IMMEDIATELY AFTER PULLING THE WELL POINTS. ALL OTHER WELL POINT HOLES SHALL BE BACKFILLED WITH FDOT NO. 89 STONE IMMEDIATELY AFTER REMOVING THE WELL POINTS UNLESS SPECIFIED OR DIRECTED TO DO OTHERWISE BY NPU.

MATERIALS AND METHODS OF CONSTRUCTION:

ALL MATERIALS AND CONSTRUCTION METHODS USED IN THE CONSTRUCTION OF NPU'S UTILITIES INCLUDING BUT NOT LIMITED TO PIPING, VALVES, FITTINGS, RESTRAINTS, FIRE HYDRANTS, BLOW-OFFS, GRAVITY SEWER MAINS, MANHOLES, LIFT STATIONS, WATER AND SEWER SERVICES AND ALL ASSOCIATED APPURTENANCES SHALL BE IN ACCORDANCE WITH THE LATEST EDITION OF NPU'S STANDARD DETAILS UNLESS OTHERWISE NOTED IN THE CONTRACT DOCUMENTS.

RESTORATION:

- THE CONTRACTOR SHALL RESTORE ALL DISTURBED OR DAMAGED AREAS TO THE SAME OR BETTER CONDITION THAN THAT PRIOR TO THE START OF CONSTRUCTION.
- ALL AREAS IN EXISTING RIGHT-OF-WAYS DISTURBED BY CONSTRUCTION SHALL BE RESTORED TO EQUAL OR BETTER THAN THE ORIGINAL CONDITION AND GROUND COVER TO THE SATISFACTION OF THE LOCAL OR STATE AGENCY HAVING JURISDICTION.
- ALL DISTURBED SWALE OR CANAL GRADES SHALL BE RESTORED TO THE GRADES AND ELEVATIONS THAT EXISTED PRIOR TO DISTURBANCE UNLESS OTHERWISE SPECIFIED ON THE PLANS OR IN THE TECHNICAL SPECIFICATIONS.

North Port FLORIDA GENERAL NOTES G-01 SHEET 1 OF 5

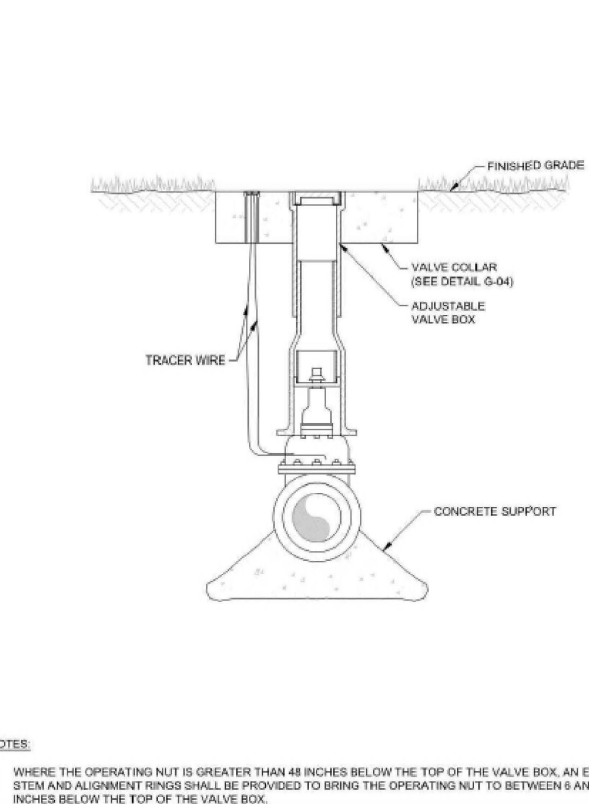
TABLE 1
HORIZONTAL BENDS AND ELBOWS
LENGTH OF RESTRAINED JOINT PIPE (FEET)

NOMINAL PIPE DIAMETER	90° BENDS	45° BENDS	22 1/2° BENDS	11 1/4° BENDS
4	14	6	3	2
6	20	9	4	2
8	26	11	6	3
10	30	13	7	4
12	36	15	8	4
16	47	20	10	5
20	57	24	12	6
24	66	28	13	7
30	79	33	16	8
36	91	38	19	9

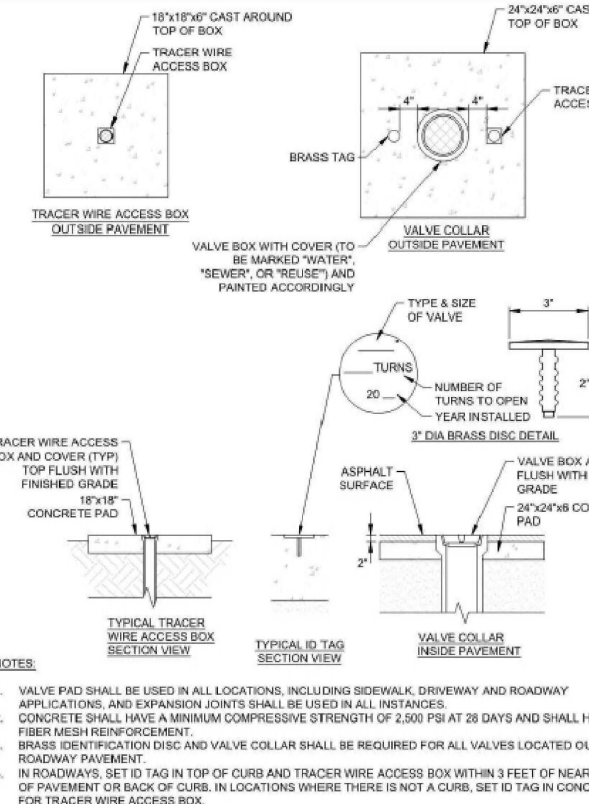
TABLE 2 TEES AND WYES		TABLE 3 REDUCERS			TABLE 4 DEAD ENDS AND VALVES	
NOMINAL PIPE DIAMETER OF BRANCH PIPE (INCHES)	RESTRAINED LENGTH ALONG BRANCH PIPE (FEET)	NOMINAL PIPE DIAMETER LARGE END (INCHES)	NOMINAL PIPE DIAMETER SMALL END (INCHES)	RESTRAINED LENGTH ALONG PIPE (FEET)	NOMINAL PIPE DIAMETER (INCHES)	RESTRAINED LENGTH ALONG PIPE (FEET)
4	11	6	4	33	4	45
6	21	8	6	35	6	63
8	32	10	4	81	8	83
10	48	10	6	61	10	100
12	65	10	8	34	12	118
16	97	12	4	103	16	153
20	129	12	6	86	20	187
24	156	12	8	63	24	220
30	196	12	10	35	30	267
36	233	16	12	65	36	313
		20	16	66		
		24	20	66		
		30	24	94		
		36	30	95		

- NOTES: (ALL TABLES)**
- ALL FITTINGS SHALL HAVE RESTRAINED JOINTS UNLESS OTHERWISE NOTED.
 - ALL PIPE SHALL BE RESTRAINED IN ACCORDANCE WITH THESE TABLES OR PER THE PLANS, WHICHEVER IS GREATER.
 - WHERE TWO OR MORE FITTINGS ARE TOGETHER, RESTRAIN JOINTS IN ACCORDANCE WITH FITTING WHICH YIELDS GREATEST LENGTH OF RESTRAINED PIPE.
 - RESTRAINT TABLES APPLY TO TEST PRESSURE OF 150 PSI OR LESS.
 - FOR PIPE ENCASED IN POLYETHYLENE, INCREASE THE GIVEN VALUES BY A FACTOR OF 1.5.
 - LENGTH OF RESTRAINED PIPE INDICATED IN TABLES 1 & 4 SHALL BE THE LENGTH OF PIPE ON EACH SIDE OF VALVE OR FITTING.
 - LENGTH OF RESTRAINED PIPE INDICATED IN TABLE 2 SHALL BE THE LENGTH OF PIPE ALONG BRANCH OF PIPE. PIPE ON BOTH SIDES OF BRANCH SHALL HAVE A MINIMUM LAYING LENGTH OF 10 FEET.
 - LENGTH OF RESTRAINED PIPE INDICATED IN TABLE 3 SHALL BE THE LENGTH OF PIPE ON LARGE END.

North Port FLORIDA RESTRAINT TABLE G-02 SHEET 1 OF 1



North Port FLORIDA TYPICAL VALVE AND CONCRETE COLLAR G-03 SHEET 1 OF 1

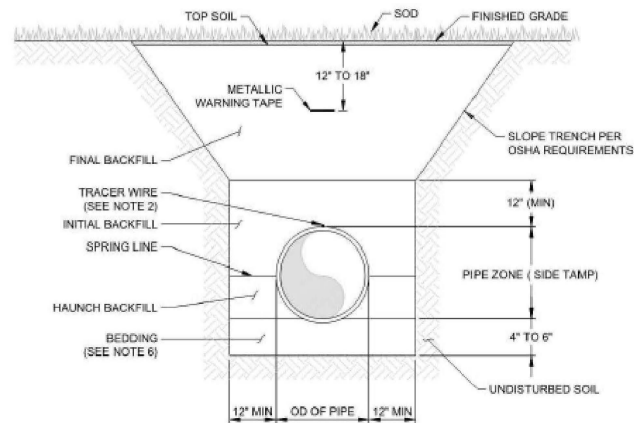


North Port FLORIDA VALVE COLLAR G-04 SHEET 1 OF 1



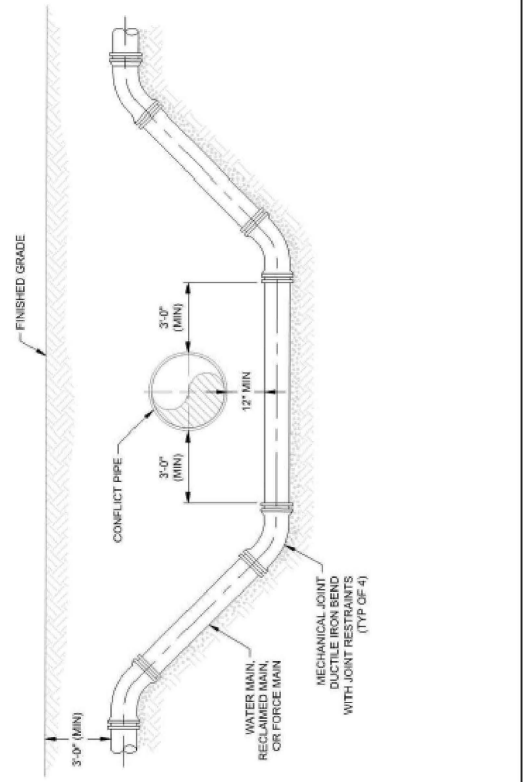
MARINA PARK RESTROOM
WATER AND SEWER DETAILS
City of North Port | Sarasota County, Florida
4970 City Hall Blvd., North Port, FL 34286

Drawn By:
Designed By:
Date: 5/26/2022
Scale: NTS
Sheet 4 of 6

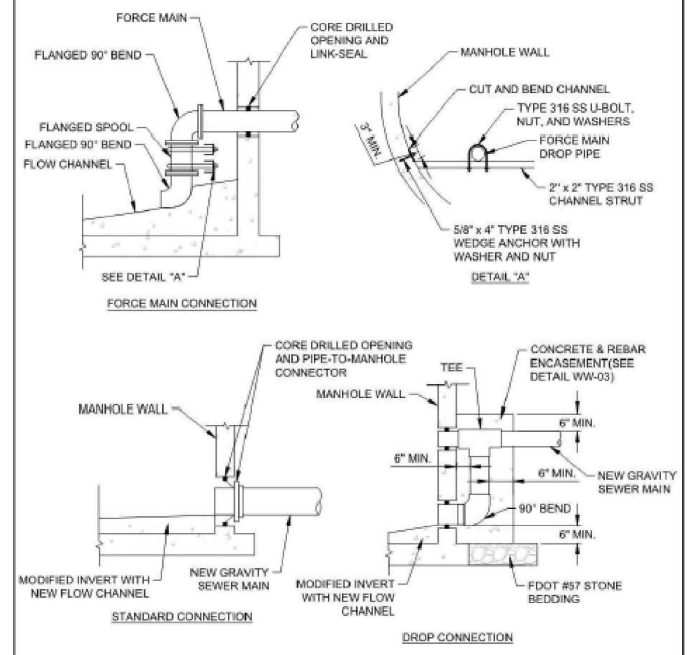


- NOTES:
1. PROVIDE A MINIMUM OF 36 INCHES OF COVER OVER THE PIPE BELL UNLESS LESS COVER IS APPROVED BY NPU.
 2. TRACER WIRE IS REQUIRED FOR ALL PRESSURE PIPES. TRACER WIRE IS NOT REQUIRED FOR GRAVITY SEWER PIPE.
 3. SHEETING AND BRACING SHALL BE FURNISHED TO SUPPORT THE SIDES OF THE EXCAVATION WHERE NECESSARY TO PREVENT LOSS OF GROUND.
 4. SUITABLE BEDDING AND BACKFILL MATERIAL SHALL BE AASHTO GROUPS A-2 AND A-3.
 5. DENSITY OF BEDDING AND BACKFILL SHALL BE 95% (MIN) OF THE MAXIMUM DENSITY AS DETERMINED BY FLORIDA METHOD 1-T 180. WHERE THE PIPE IS WITHIN 7.5 FEET OF EDGE OF PAVEMENT, THE MINIMUM DENSITY SHALL BE 98%.
 6. UNDERCUT AND PLACEMENT OF IMPORTED BEDDING SHALL BE REQUIRED WHERE EXISTING MATERIAL DOES NOT MEET THE CLASSIFICATIONS OF AASHTO GROUPS A-2 OR A-3.

NorthPort FLORIDA STANDARD PIPE TRENCH G-15 SHEET 1 OF 1

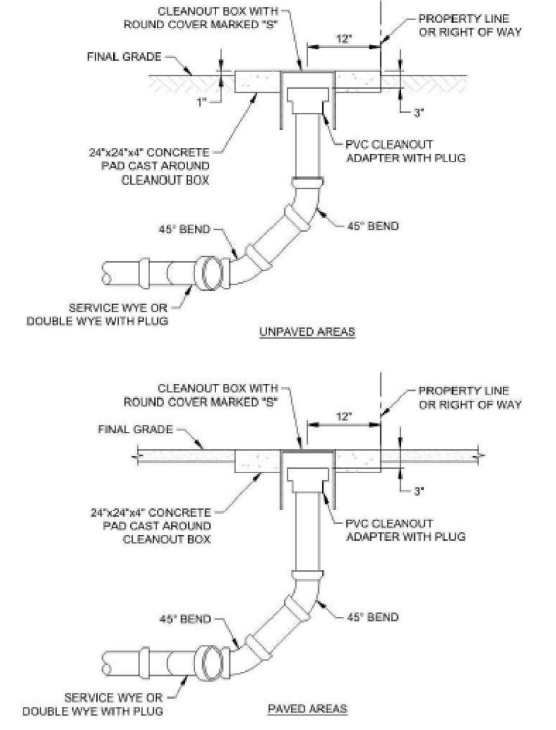


NorthPort FLORIDA TYPICAL UTILITY DEFLECTION G-23 SHEET 1 OF 1



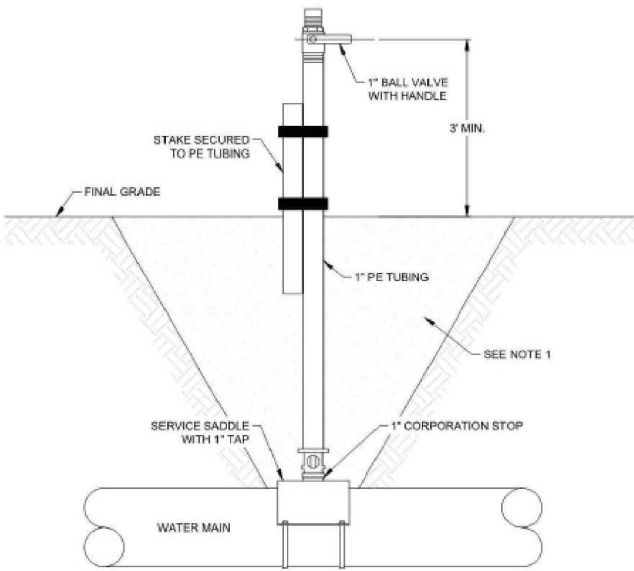
- NOTES:
1. DROP CONNECTION SHALL BE REQUIRED WHENEVER THE INVERT OF AN INFLUENT SEWER IS LOCATED AT TWO (2) OR MORE FEET ABOVE THE INVERT OF THE MANHOLE.
 2. DROP PIPE SHALL BE OF EQUAL SIZE AS THE INFLUENT SEWER. DROP PIPE AND FITTINGS SHALL BE PVC.

NorthPort FLORIDA CONNECTIONS TO EXISTING MANHOLE WW-04 SHEET 1 OF 1



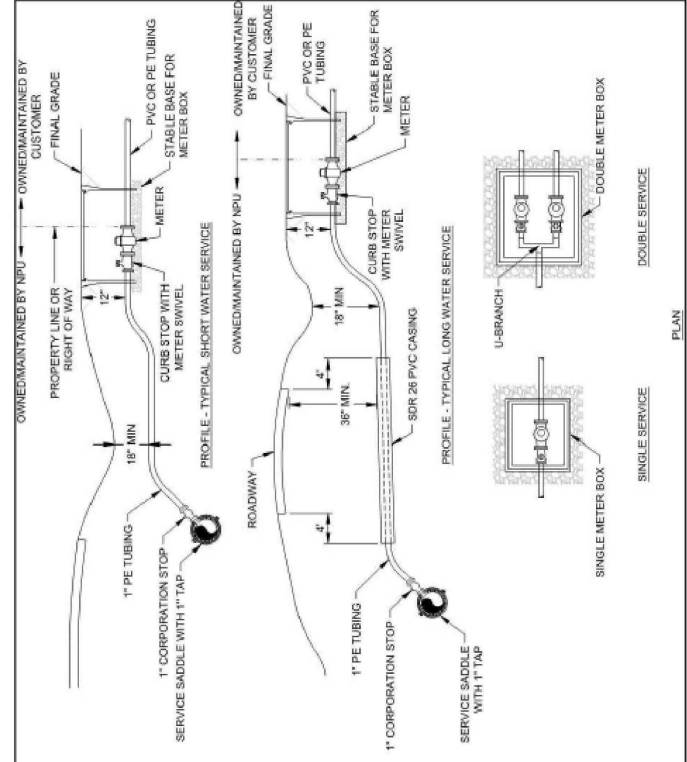
- NOTES:
1. CONCRETE SHALL HAVE A MINIMUM COMPRESSIVE STRENGTH OF 2,500 PSI AT 28 DAYS.

NorthPort FLORIDA TYPICAL SEWER SERVICE CLEANOUT WW-09 SHEET 1 OF 1



- NOTES:
1. TEMPORARY FILL SHALL BE PLACED UNTIL FDEP CLEARANCE HAS BEEN RECEIVED.
 2. AFTER FDEP CLEARANCE HAS BEEN RECEIVED, THE CORPORATION STOP SHALL BE CLOSED, PE TUBING SHALL BE REMOVED, AND A CAP/PLUG SHALL BE INSTALLED AT THE CORPORATION STOP.

NorthPort FLORIDA TEMPORARY SAMPLE POINT PW-01 SHEET 1 OF 1

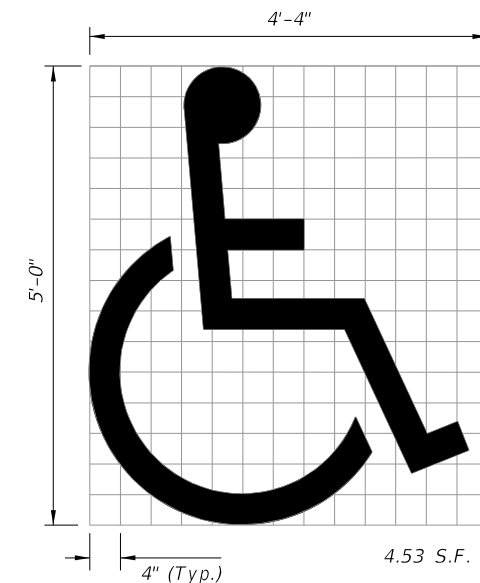
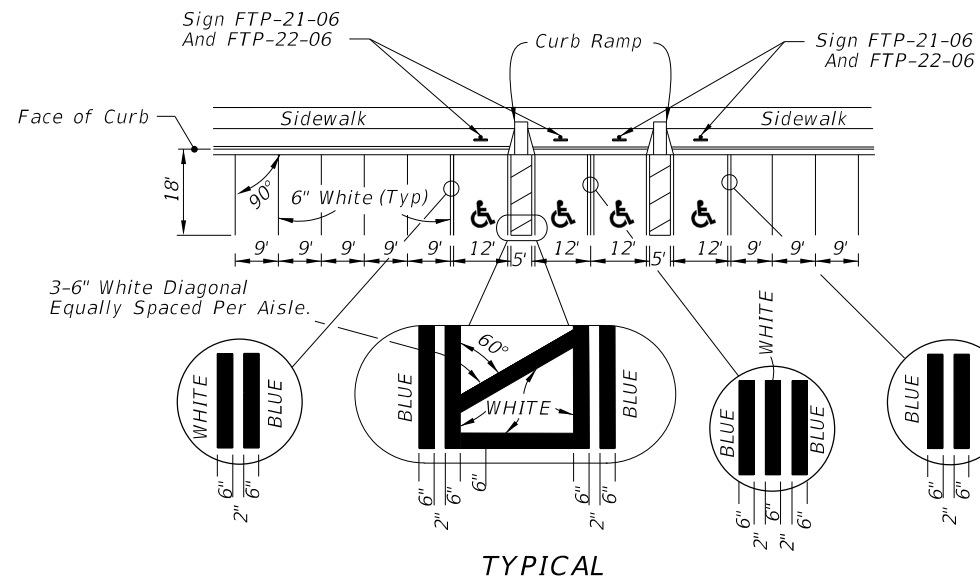
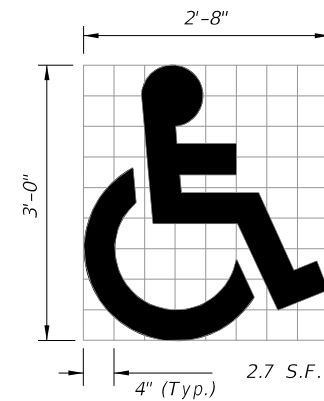
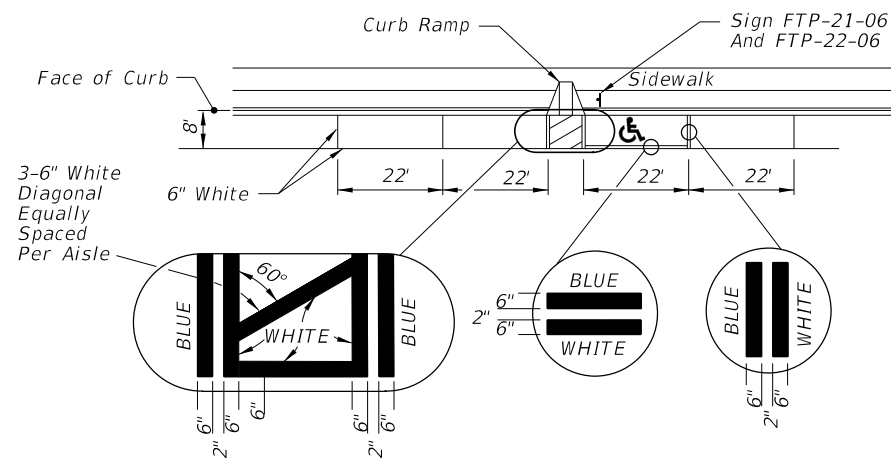


NorthPort FLORIDA TYPICAL 5/8" - 1" WATER SERVICE PW-06 SHEET 1 OF 1



MARINA PARK RESTROOM
 WATER AND SEWER DETAILS
 City of North Port | Sarasota County, Florida
 4970 City Hall Blvd., North Port, FL 34286

Drawn By:
 Designed By:
 Date: 5/26/2022
 Scale: NTS

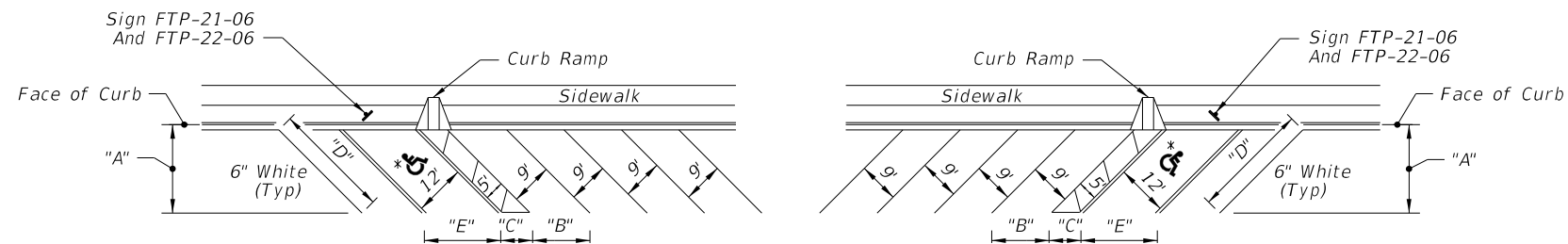


(See Note 5)

UNIVERSAL SYMBOL OF ACCESSIBILITY

NOTES:

1. Dimensions are to the centerline of markings.
2. An Access Aisle is required for each accessible space when angle parking is used.
3. Criteria for pavement markings only, not public sidewalk curb ramp locations. For ramp locations refer to plans.
4. Mount FTP-22-06 sign below the FTP-21-06 sign.
5. Use of the pavement symbol in accessible parking spaces is optional. When pavement symbol is used, the symbol is either 3'-0" or 5'-0" high and white in color.



FORWARD-IN PARKING

REVERSE-IN PARKING

* FOR ACCESSIBLE MARKINGS - SEE ABOVE

DIMENSIONS					
∠ θ	"A"	"B"	"C"	"D"	"E"
45°	17'-0"	12'-9"	7'-0"	24'-0"	17'-0"

PAVEMENT MARKING FOR PARKING

9/22/2021 3:13:05 PM